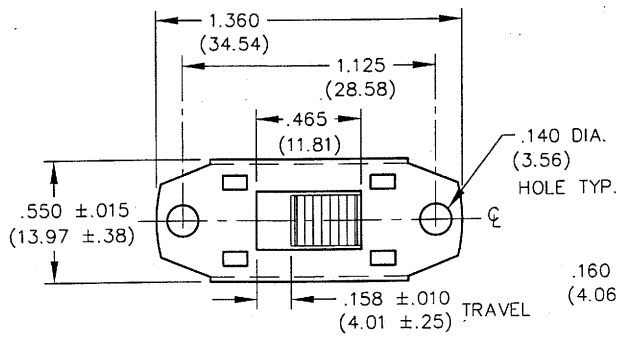


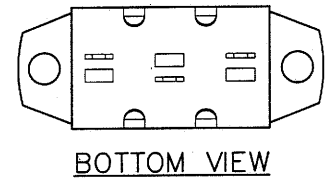
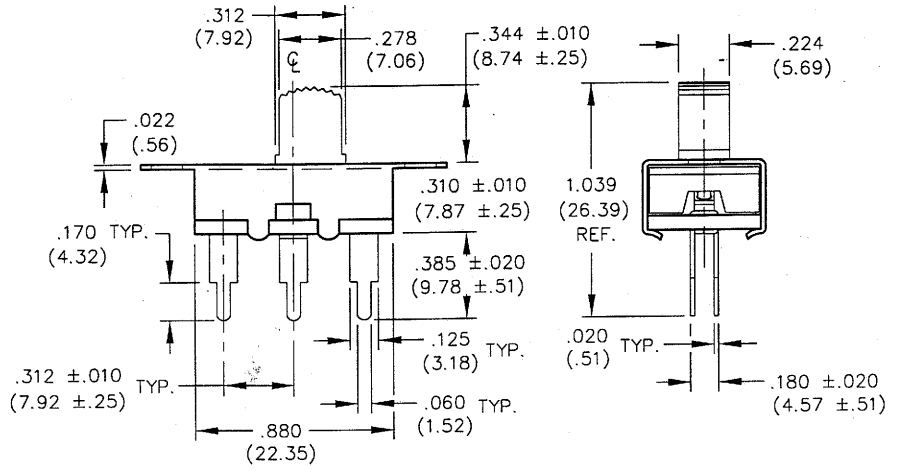
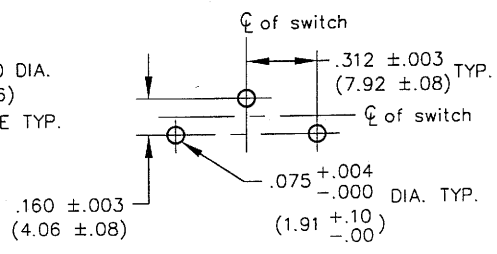
DIMENSIONS IN INCHES (MILLIMETERS)
DO NOT SCALE DRAWING

Dwg. No.
GF-324-0159

E
D
C
B
A



P.C. LAYOUT



1 2 3 4 5 6 7 8 9 10

FORM-B4
REVISIONS
RELEASED:
DCW 2-08-2001

CW INDUSTRIES
Southampton, Pa. 18966

TOLERANCES UNLESS OTHERWISE SPECIFIED	
2 Place Decimal ±.010	METRIC
3 Place Decimal ±.005	1 Place Dec. ±.25mm
Angles ±1°	2 Place Dec. ±.13mm

Made for: CW IND.
Drawn by: DGW 2-08-2001
Checked by: *G. Guld 2-12-01*
Approval: *J. P. ... 2-12-01*

Title: **SWITCH ASSEMBLY
SP.- D.T.
STAGGERED
P.C. TERMINALS**

Division: **SWITCH**

Dwg. No.
GF-324-0159